

BIG IOs: Serial IO modules with MODBUS+ASCII protocol

RESI-14RI-SIO

Serial IO module with 14 digital inputs for 12-250Vac/dc signals

Our IO modules are designed to integrate various digital or analog signals from the field into your solution very easy. The IO modules communicate with your host via standard MODBUS protocol (RTU) or via simple ASCII text protocol. The communication is handled via serial RS485 line. Therefore you can address up to 256 IO modules on one bus segment with a maximum length of 1200m and a maximum speed of 256000Baud.

HIGHLIGHTS

- 14 digital inputs for 12-250Vac/dc signals
- Each digital input is galvanically insulated from all other digital inputs and the rest of the module
- DC and AC signals can be mixed on the module
- Easy rewiring with extra plug-in terminal for each digital input
- Serial RS485 with MODBUS/RTU+ASCII slave protocol
- Power supply: 12-48Vdc

APPLICATION

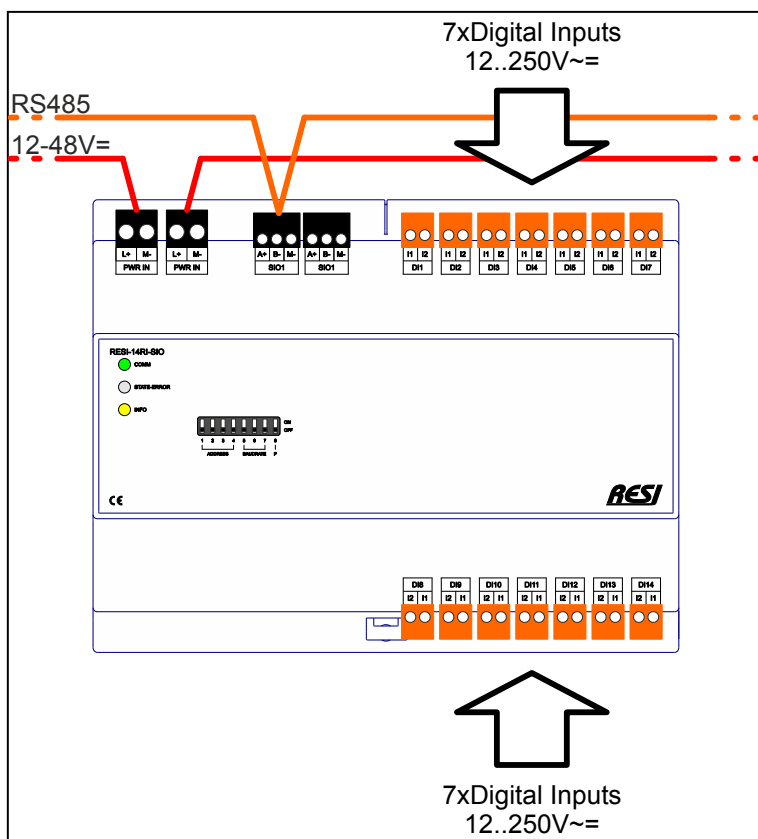
- SCADA systems
- Building management systems
- Industrial Automation
- HVAC control
- Smart Homes

MARKETS

- Building automation
- Industry
- Hotels, Resorts
- Residential Automation
- Smart Cities



RESI-14RI-SIO



Schematics

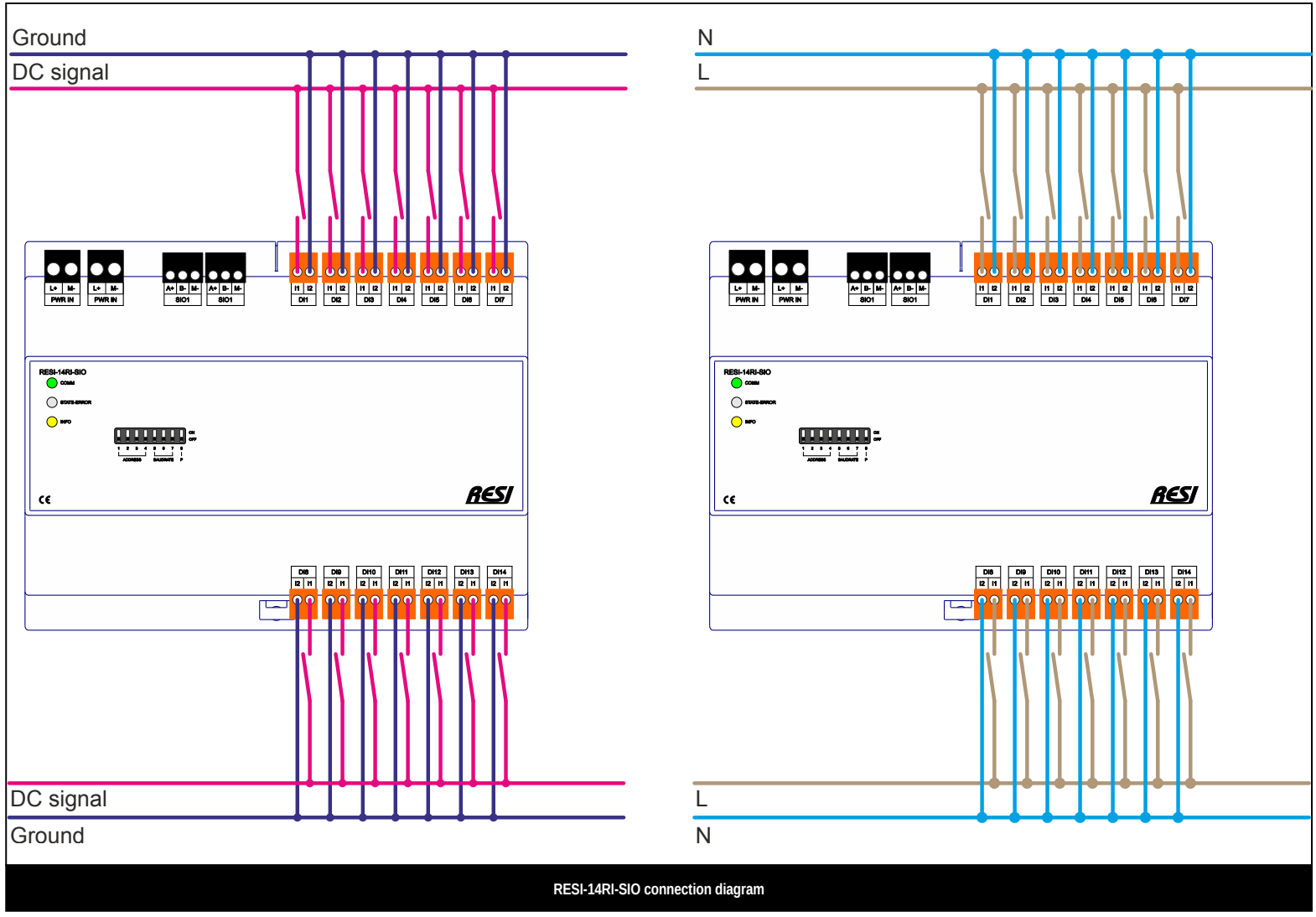
FEATURES

- | | |
|-----------------------------|--|
| ■ Power supply: | 12-48V= |
| ■ Serial interface: | RS485 |
| ■ MODBUS/RTU slave protocol | Yes |
| ■ ASCII slave text protocol | Yes |
| ■ Unit ID (Address) | 0..255 |
| ■ Digital Inputs | 14 |
| ■ Digital input signals | 12..250Vac/dc |
| ■ Serial parameters: | 300-256000bd, 8 data bits, no,even or odd parity, 1 or 2 stop bits |
| ■ DIP switch: | Yes, for basic configuration |
| ■ LEDs: | 3xLEDs for status |
| ■ Configuration software: | Yes, free MODBUSConfigurator + LIBRE OFFICE® configurator |
| ■ Housing (LxWxH in mm): | BIG IO XT8 (142.3 x110x62) |
| ■ Mounting: | DIN EN 50022 Rail or wall mounting |
| ■ Certification: | CE |
| ■ IP protection: | IP20 |

BIG IOs: Serial IO modules with MODBUS+ASCII protocol

RESI-14RI-SIO

Serial IO module with 14 digital inputs for 12-250Vac/dc signals



RESI-14RI-SIO connection diagram